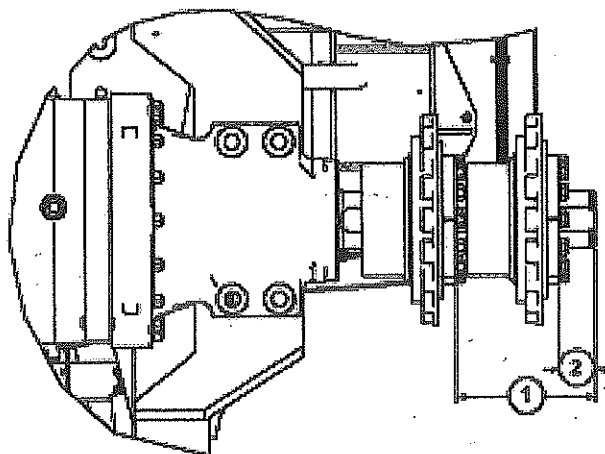


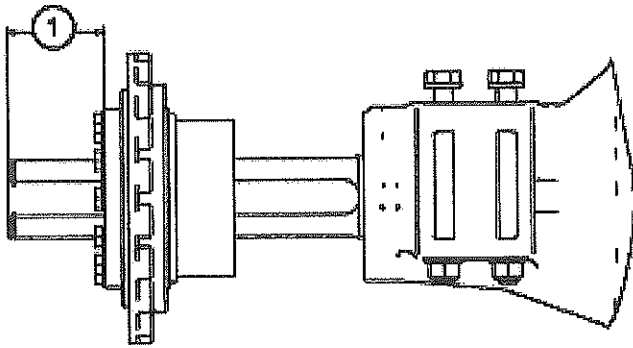
# Hub spacing



TRISJA0110094901

Triple hubs spacing		
Tire size	End of axle to inner collet face 1	End of axle to outer collet face 2
480/80R46	302 mm (11.89 in)	16 mm (0.63 in)
480/80R50	302 mm (11.89 in)	16 mm (0.63 in)
520/85R42	302 mm (11.89 in)	16 mm (0.63 in)
520/85R46	302 mm (11.89 in)	16 mm (0.63 in)

Dual hubs spacing		
Tire size	End of axle to inner collet face 1	End of axle to outer collet face 2
620/70R46	302 mm (11.89 in)	65 mm (2.56 in)
650/85R38	285 mm (11.22 in)	-20 mm (-0.79 in)
710/70R38	269 mm (10.59 in)	32 mm (1.26 in)
710/70R42	293 mm (11.54 in)	56 mm (2.20 in)
710/70R42	217 mm (8.54 in)	-20 mm (-0.79 in)
800/70R38	217 mm (8.54 in)	-20 mm (-0.79 in)



TREJAD110095001

Single hubs spacing	
Tire size	End of axle to collet face <i>1</i>
35.5L32	138 mm (5.44 in)

### Feedback

14Views

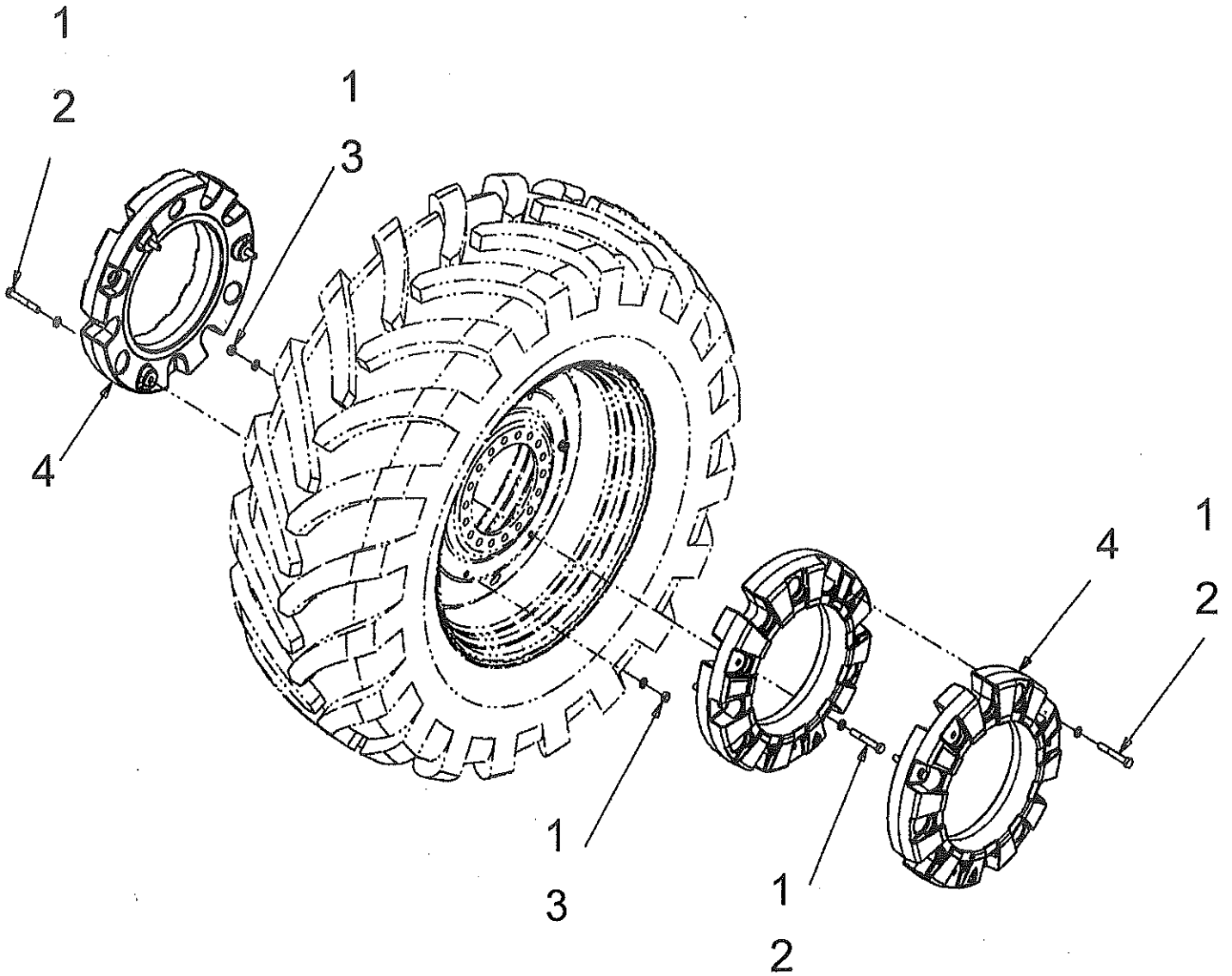


Content valid only for 2021/1/13

2021 © AGCO CORPORATION



509087D1-03-R296



Item	Part Number	Description	Qty	Tech Spec	Notes	Ref
1	400080X1	FLAT WASHER	15	Ø 22-35 X 3,5 MM		
2	400206X1	HEXAGONAL HEAD BOLT	9	M20 X 140 (5.5) ISO 10.9		
3	3009746X1	HEX NUT	6	M20 ISO 10 ZN		
4	511480D1	COUNTERWEIGHT	3	227K		